

## Opus 700 Salamanders

### Key Features

- Type: Gas
- Integral fat collection channel
- Cast aluminium branding plate
- Enamelled interior and top/front
- High and low heat settings
- Dual zone operation allowing half of the grill to be set to different temperatures
- Supplied with Easilift branding plate lift and tilt mechanism with five horizontal grilling positions and four tilt angles.
- Supplied with piezo igniter wand



OG7302

### Construction

- Body: stainless steel grade 430
- Interior and top/front: Enamelled steel
- Grill shelf: Chrome plated shelves

### Available Options

- Natural gas
- Propane gas

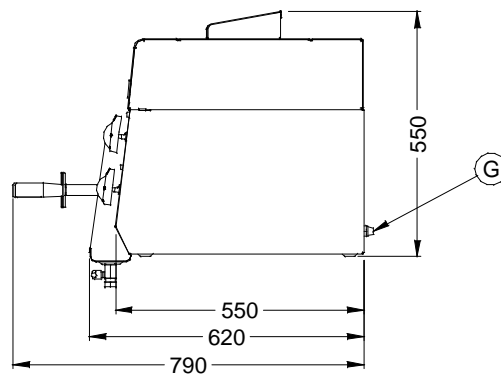
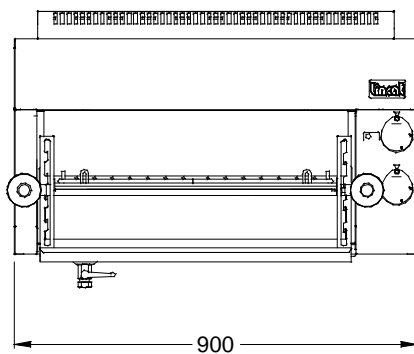
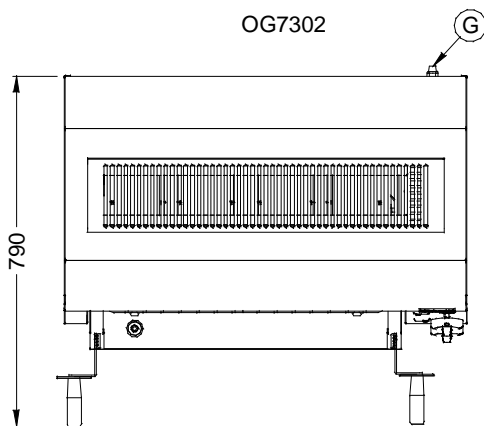
### Available Accessories

- OA7911 wall shelf
- OA7912 floor stand
- OA7913 Cheese melter grid
- OA7918 bench stand
- BR05 Additional branding plate

Note: Salamander floor stands cannot be supplied with castors

## Specifications

Model	OG7302
External height (mm)	550
External width (mm)	900
External depth (mm)	560
External depth including grill tray handles (mm)	790
Branding plate w x d (mm)	610 x 440
Net weight unpacked (kg)	41
Gross weight packed (kg)	51
Shipping volume (m <sup>3</sup> )	0.357
Total heat input Natural (kW)	7.3
Total heat input Propane (kW)	7.3
Gas consumption at full rate Natural (m <sup>3</sup> h <sup>-1</sup> )	1.18
Gas consumption at full rate Propane (kg h <sup>-1</sup> )	0.89
Gas inlet	G ½ female
Btu/h conversion	kW x 3412



Lincat Limited, Whisby Road,  
Lincoln LN6 3QZ,  
United Kingdom

UK Sales Tel: 01522 875500 UK Spares Tel: 01522 875510 UK General Tel: 01522 875555  
UK Fax: 01522 875530 International Sales Tel: +44 1522 503250 International Fax: +44 1522 875530  
Website: [www.lincat.co.uk](http://www.lincat.co.uk) UK Sales e-mail: [sales@lincat.co.uk](mailto:sales@lincat.co.uk) International Sales e-mail: [export@lincat.co.uk](mailto:export@lincat.co.uk)



Document ref:  
OPUGASSAL02  
Issue date: Oct-09